

RAILMAN®

NEW
RELEASE

GASOLINE GENERATOR On Rail Type



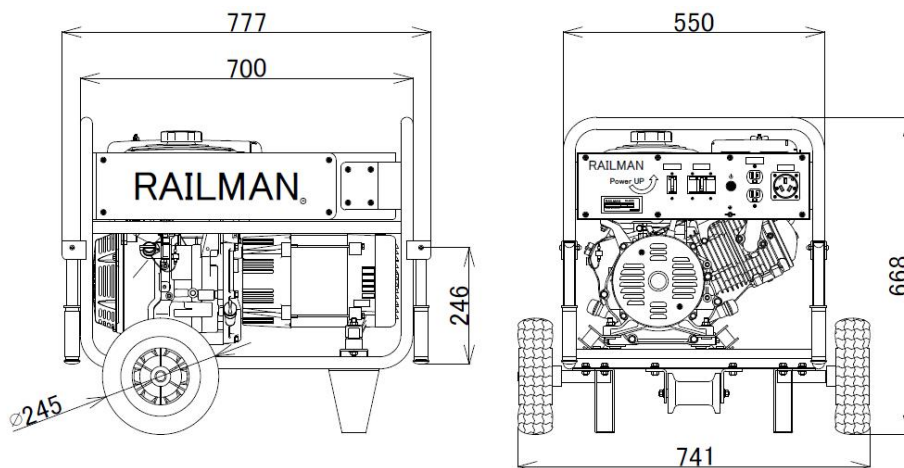
ISO 9001

Quality management system
International standard ISO 9001

Hand Tie Tamper (IT-450E) for Generator

		Model	RG-4500H
Generator	Phase	3	Single
	Max AC Output	4.5kVA	500VA
	Voltage (V)	200(±10%)	100(±10%)
	AMP (A)	13	5
	Frequency (Hz)	60	
	Power factor	0.8	1.0
	Revolution	3,600	
	Excitation	2-pole MG rotation	
	Over current protection	No fuse breaker	
Transport	Land wheels	2	
	On Rail wheels	2	
Engine	Model	GX-390 (HONDA)	
	Power (kW/rpm)	7.0 kW/3600 rpm	
	Displacement	389 cm3	
	Starting System	Recoil Starter	
	Fuel	Gasoline	
	Tank capacity (ℓ)	6.1 ℓ	
	Binding mode	Direct connection	
Continuous rated operation time (h)		4.7	
L×W×H (mm)		777×741×668	
Noise [dB(A)/7m]		98.4	
Dry Weight (kg)		86	
Suitable for Hand Tie Tamper model IT-450E (4 units) in Single Operation			

Measurements



Distributor

Pioneering Tomorrow with Today's Best Technology



RAILMAN®

ISHIDA MFG Co.,Ltd.

Headquarters 1-2588 Hirosawa Kiryu
Gunma JAPAN 376-0013
TEL +81-277541711 FAX +81-277541716
<http://www.ishida-seisakusyo.co.jp>

Please be advised that product specifications may change without notice.

Sales Agent